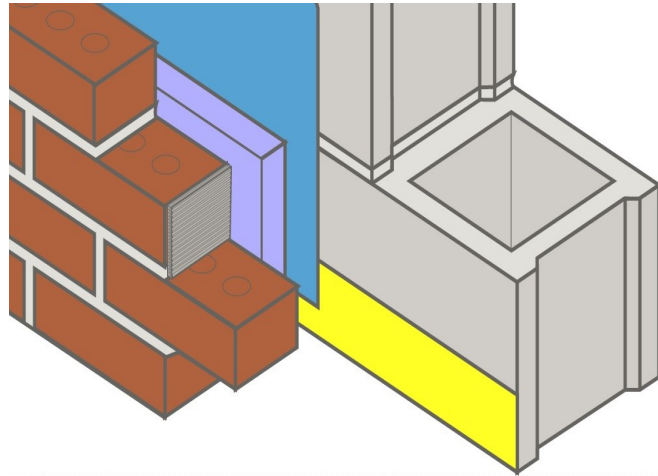
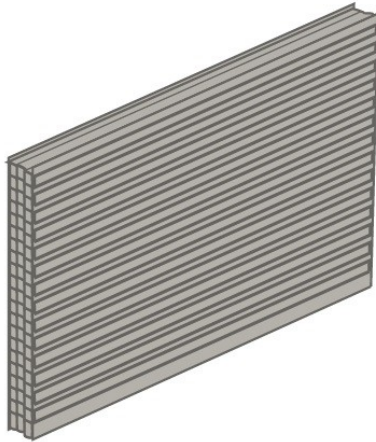


WIRELOCK

Cell Vents



WIRELOCK Cell Vents, with a honeycomb design, ensures that moisture can migrate out of the cavity, air can circulate into the cavity and insects and other debris cannot enter through the weep holes.

Will not rot, oxidize, support mold or fungus, or react with common building materials.

PRODUCT DATA

Helps prevent the conditions that foster mold growth, spalling from freeze/thaw cycles, efflorescence and wet basements.

- Allows moisture to migrate out of the cavity so moisture can't build up
- Allows air to circulate into the cavity so the cavity can dry quickly
- Eliminates pressure differentials, so moisture is not forced into the cavity and the cavity can dry properly
- Very lightweight and easy to handle
- Fast and easy to install in new construction and restoration projects
- Can be used at the top of the wall to improve air circulation in the cavity
- Extremely durable for optimal long-term performance
- 100% compatible with standard weep hole designs
- Very cost-effective

FINISHES & SIZES

Dimensions:

Standard Size: $\frac{3}{8}$ " W x $2\frac{1}{2}$ " D x $3\frac{3}{8}$ " L

Jumbo Size: $\frac{3}{8}$ " W x $3\frac{1}{2}$ " D x $3\frac{1}{2}$ " L

Available Colours:

- Clear
- Grey
- Black
- Brown

Distributed by:

JV BUILDING PRODUCTS

Masonry Specialty Products Since 1977